

Alfa Owner Club Annual Rally - Registration Form

THE Vineyards of *Fredericksburg* RV Park

2617 N US Hwy 87, Fredericksburg, TX 78624 Office 830-992-1237

www.thevineyardsvpark.com stay@thevineyardpark.com

April 7, 2019 Departing April 12, 2019

<p><u>Wagon Master</u> Ray Fowler/CeAnne Ochel Home: 213 Star Lane, Pipe Creek, TX 78063 Ray Cell # 832-972-1972 = CeAnne Cell #214-298-4376 nash.songwriter@hotmail.com - ceanneochel@gmail.com</p>	<p><u>Co-wagon Master</u> Barb and Sid Zielke Barb Cell # 206-910-7116 Sid Cell # 206-300-0775 gipter@gmail.com</p>
---------------------------------------------------------------------------------------------------------------------------------------------------------------------------------------------------------------------------------	------------------------------------------------------------------------------------------------------------------------------------------------

Arrival Date: _____ Departure Date: _____ Nights Staying _____

Last Name _____ First Name _____

Spouse/Partner Last Name _____ First Name _____

Home Address _____ City _____ State _____ Zip _____

E-mail Address _____ Telephone: _____

AOC Chapter: _____

First Timer at AOC National Rally? Yes _____ No _____ Guest? Yes _____ No _____

Physically challenged and need consideration for parking? Yes _____ No _____

Special Meal/Diet Restriction we should be aware of? _____

2 People per Rig Registration Fee Includes 2 Patches -----\$165 per rig-----\$ _____

1 person per rig/1 patch.....\$98.00-----

Extra People (\$67.00 each) X _____ -----\$ _____

Extra 2019 Rally Patches: \$4.00 each X _____ -----\$ _____

***Non-Chapter Member Fee:** \$25 per rig \$ _____

TOTAL DUE----- \$ _____

There will be NO shortened stay or reduced fee on Rally Registration Form. If you wish to arrive early or depart late you will need to discuss this with the Park office. The Alfa Owners' Club Annual Rally is a **Social Event** hosted by the Alfa Owner's Club. Attendees must be staying at the Resort in an RV.

***Non-chapter Member Fee** will be refunded by Rally Wagon Master if you join an Alfa Owners Club Chapter before or during the rally.

Please send your check for the total due, Payable to: Ray Fowler with the completed registration form to: Ray Fowler, 213 Star Lane, Pipe Creek, TX 78063. Or you may pay by **PAYPAL** (friends and family) to Gipter@gmail.com and scan your registration form to gipter@gmail.com.

AOC **REFUND** policy: The Rally Wagon Master shall, upon request, refund moneys to the individual requesting it, providing the moneys have not already been disbursed.

SIGNATURES REQUIRED FROM ALL PERSONS ATTENDING THE RALLY

We agree that we will not hold the Alfa Owners' Club, Host Chapter, nor any officer or agent, responsible for any personal or property injury of any kind, which we or any member of our family or guest(s) may suffer during the Rally. This agreement applies regardless of the cause of the injury, and includes, without limiting it, whether said injury is caused by condition of the premises, another club member or any other person. We make this agreement in consideration of the expenses that AOC and Hosting Chapter incur by holding the Rally for our benefit, and recognize that in signing this paper we are waiving a legal right to recover damages.

SIGNATURE

SIGNATURE

SIGNATURE

We would like to hear from you! What would you like to see at the rally? Check all that apply.

- ◇ **Tour National Museum of the Pacific (group rates available)**
- ◇ **Tour of wineries in the area.....There are 53 of them! Wine shuttles/tours available.**
- ◇ **I am interested in a golf outing. There is a group rate available if 20 or more people sign up. \$38 + tournament fees if less than 20 people.**
- ◇ **I am interested in renting a golf cart. pu/del \$40 so you would want to get with others to have several delivered together. 4 passenger weekly \$295 and 6 passenger weekly \$375. \$45 a day as daily.**
- ◇ **I am interested in having the rig washed and/or waxed.**

If enough interest is shown in any item, we will make an effort to put it into our rally schedule.

Do you have any other suggestions for the rally? crafts, seminars, vendors??

We are always looking for volunteers! If you have an expertise please speak up. We promise not over burden you. Also, if you know of a vender that you think we could contact we appreciate ideas!

At last year's rally, opinions were expressed to have more free evenings. This year we have two free evenings with just four dinners planned. There are many lovely restaurants in the area and so much to do away from the park .

A website of interest may be www.visitFredericksburgTX.com

There is a 10 minute video about the area.

We are not handling the park fees this year. You will need to call the PARK for your reservation. Contact Courtney and tell her you are with the Alfa Group. The rally rate is \$40 per night. Space is limited so register ASAP.

All brands and types of RV's are welcome. The \$25 fee applies if you are not a chapter member. See above....

It is imperative that we have a head count for the caterer. Please have your registration complete and mailed to the committee by **March 1st**. Thank you in advance for this!



Welcome friends both new and old. The time has come for laughs, relaxation and loads of fun at the 2019 AOC National Rally.

Located this year at The Vineyards of Fredericksburg RV Park
2647 N US Highway 87, Fredericksburg, TX 78624

Office - 830-992-1237 / <http://thevineyardsrvpark.com>

April 6, 2018 - April 12, 2019

Leisure Coachworks formerly known as Alfateers Service Center Inc. are offering various rally service specials. The following packet will explain services you can have done at the rally while you enjoy the pet parade, a delightful beverage with an unforgettable buddy, or great food including the amazing BBQ dinner. Date & time to be determined.

We offer these services and much more all year around at our newly expanded 2 building service center located at 14620 Rancho Vista Dr, Fontana, Ca. 92335. Please stop by the rally or call us at 909-428-6775 and we will happily discuss all your RV service needs. If you would like to take advantage of any of these rally specials your request must be postmarked by February 22, 2019.

Can't Wait To SEE YA There!



RALLY SPECIALS

PRICES ONLY VALID FOR 2019 RALLY

*Cash, Check, or CREDIT CARDS can be accepted *

Total Cost work sheet

Item Description	Cost
High Mount Tail Light Alfa Only \$425	
Halo headlight install Alfa Only Standard \$625 CCFL \$665	
P-molding Alfa Only <u>Small Slide-Out (7 x 7)</u> \$485 <u>Medium Slide-Out (11x 7)</u> \$495 <u>Large Slide-Out (15 x 7)</u> \$549 <u>Extra –Large Slide out (20x 7)</u> \$609	
Roof Seal <u>Special</u> 19' and under \$515 20' - 29' \$675 30' - 40' \$1125	
Wall Seal \$1,399	
Spot Seal ½ Hr \$55 / 1hr \$ 110	
LED conversion	
Toilet upgrade	
Dump Valve Replacement	
Rally Labor Rate \$110.00 per hour	
Total	

Mail no later than February 22, 2019 to:

**Attn: National Rally
Leisure Coachworks
14620 Rancho Vista Dr.
Fontana, CA 92335**



Don't forget to see one of the service advisors for a quote on any repair or upgrade, that can't be done at the rally. All jobs booked at rally will be quoted with a 10-15 % off coupon, see advisors for details.

-Things you might want to think about-

- **Residential Refrigerator Upgrade**
- **Tile, laminate, new carpet flooring options**
- **Solid surface counter top upgrades**
- **HD TV conversions**
- **Custom cabinets**
- **Blister repair rally special (must be booked within 2 weeks of rally) COME by our trailer for exact price. On one of the following options.**
- **FULL RE-SKIN, finishing standard white. Upgrade to painted decal options, or go all out with a full body paint job.**
- **Anything else you don't see on this list, just ask!**

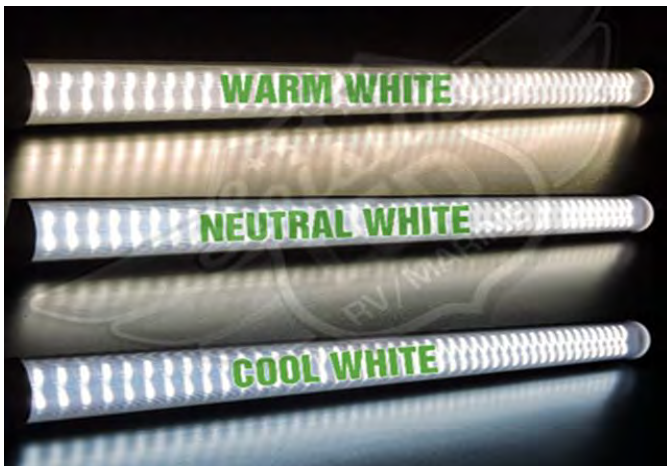




Interior and Exterior LED Conversion

Kits include all new fixtures unless it's a florescent light, then it's bulbs only. These are on average 14-hour jobs; any additional hours will be added to the bill at a discounted rate

Recessed lights, porch and compartment lights, and the scare light are **ONLY** available in Cool White. Fixture lights are **ONLY** available in Natural White. The tube lights are available in Warm White, Neutral White, and Cool White.



← Tube Lights are Available in 3 colors

Motion Porch Light:
1 unit in ½ an hour,
available in black or
white →
\$39.99





LED PRICING

ITEM	STANDARD KIT QTY	LARGE KIT QTY	BUILD YOUR OWN	Price for Single Item
Sconce Light T10 360 Bulb	8	8		\$6.95
4.5" Recessed Light	2	3		\$9.95
3.2" Recessed Light	0	4		\$8.95
3.37" Recessed Light	2	4		\$8.95
4.75" Recessed Light	2	3		\$8.95
5.75" Recessed Light	2	3		\$8.95
18" Tube Lights	19	20		\$18.95
Single Pancake Lights UPGRADE to a light w/ dimmer for \$5 more	3	6		\$8.95
Double Pancake Lights UPGRADE to a light w/ dimmer for \$4 more	1	0		\$15.95
Bullet Light	2	0		\$24.95
Scare Light	3	4		\$29.95
Compartment Lights w/ Switch	14	14		\$11.95
Porch Light- Complete Light	14	14		\$11.95
License Plate	2	2		\$5.95
2" Round Amber Clearance Light	5	5		\$7.95
2" Round Red Clearance Light	5	5		\$7.95
2x6 Amber Side Marker	2	2		\$7.95
INSTALLED SPECIAL PRICE	\$1399.00	\$1450.00		

Would you like a LED upgrade, but don't want the set amount? Please fill in the "Build Your Own" column with the amount of lights you wish to install. The amount of lights you add will be priced with 20% off the total amount of each light, plus labor to install.



Plug Upgrade

Upgrade to a 30-foot 50-amp plug-\$104.99

1-hour average labor- \$110.00



Dump Valve Replacement

Dump valve replacement from electrical to manual
On Average takes 1 ½ - 2 hours to install for each
valve replaced

Parts Price: Plus Labor

- \$20.00 for 3" Manual Dump Valve
 - \$15.00 for 1.5" Manual Dump Valve
 - \$139.00 for Barker Auto Drain Dump Valve
- \$149.00 for Drain Master Dump Valve



Spot Seal: as needed (Remove old silicone where cracked, Roof, Side walls or any Exterior area)

\$55. (½ Hr) -\$110 (1Hr)

Depending on time spent, and area sealed.

* While working outdoors we will do our best to plan seal jobs while wind conditions are ideal, but we are not responsible for wind blowing dirt or debris in sealant.

Roof Seal complete: includes sealant removal, new sealant, and labor.

Normal Prices: 19' and under: \$540

20' - 29': \$750

30' - 40': \$1380

Rally Prices: 19' and under: \$515

20'-29': \$675

30'-40': \$1125

Side Wall Seal complete: includes sealant removal, new sealant, and labor.

Normal Price: \$1,655

Rally Price: \$1,399



New Toilet Install

Price includes new toilet and removal of old toilet and using silicone to seal new toilet to floor.

* Some units may require reworking of plumbing not included

*Some bowls may need adapters added

ON AVERAGE 1- 1 ½ HOUR TO INSTALL Depends on model

Dometic Model # 320

Bone or White

Standard Price \$249 plus \$120 Installation charge

RALLY SPECIAL \$345 Installed

- Dometic 320 Standard Height Toilet
- Deep, 100% vitreous ceramic bowl
- Elongated residential style toilet
- Ergonomic foot pedal-press partially to add water, press fully to flush.
- 360 degrees rim wash

Dometic Model # 310

Bone or White

Standard Price \$198 plus \$120 Installation charge

RALLY SPECIAL \$295 Installed

Model #310 Bone or White

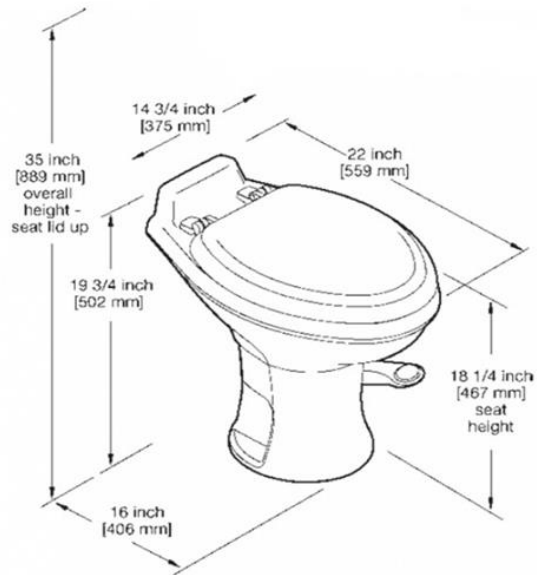
- True, 100% bowl coverage
- Euro Design
- Power Flush, swirl-jet bowl rinse action ensures a cleaner rinse
- Comfortable 18" ergonomic seat height



DOMETIC MODEL 310



DOMETIC MODEL 320



UPGRADE WITH AN ADDITIONAL SPRAYER!

- Ask a service advisor for additional details.
- Parts Price: \$60.00
- Install Time: ½ hour
- \$55.00 Labor





Alfa Vehicles Only Upgrades



Rear Tail Light upgrade
Normal Price: \$475
Rally Price: \$425



Halo Head Light Install		
Standard Halo Install	Normal price \$674	Rally special \$625
CCFL Halo Install	Normal price \$714	Rally special \$665

(The only difference is the ring around the head lights are LED on the CCFL, standard they are just a standard light)



Maintenance Items:

P-molding Install:

Small Slide-Out (7 x 7) Normal price \$463.80 **Rally special \$425**

Medium Slide-Out (11x 7) Normal price \$546.15 **Rally special \$495**

Large Slide-Out (15 x 7) Normal price \$609.55 **Rally special \$549**

Extra-Large Slide out (20x 7) Normal price \$680.40 **Rally special \$609**

(One room per customer unless we have time for all requests)

Black P-molding is currently used on **most RV's slide out repairs. It is a new product and due to the color and the difference in the manufacturing process they expect this product to withstand the weather conditions better.
